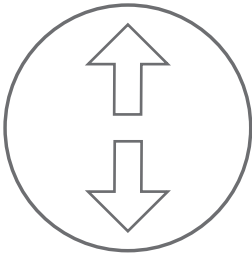
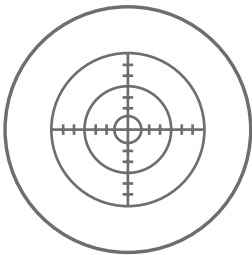


# 30' 120 VOLT TELESCOPIC CRANK MAST



EASILY RAISED  
**TO 30 FEET**



BUILT-IN MAST  
**LEVELING FEATURES**



SECURE AND  
**TAMPER-PROOF**



## SAFETY & INSTALLATION INFORMATION

To ensure the safety of all personnel in operation of the mast, please read carefully the following information before use. Failure to do so can lead to serious injury.

### INSTALLATION INFORMATION

**Number of People:**

1-2 people needed

**Set-up Time:**

45 minutes (once properly located)

**Equipment Needed:**

- Telehandler to move from the truck to the desired location on the site (not needed if truck with lift gate can access the desired location)
- Step ladder to affix camera and camera mount
- Compass—provided with all solar units to ensure solar panels are facing south
- Hand Tools:
  - Ratchet -  $\frac{5}{8}$ " socket &  $\frac{9}{16}$ " socket
  - $\frac{5}{8}$ " box wrench &  $\frac{9}{16}$ " box wrench
  - Box cutter

### SAFETY INFORMATION

- Do not deploy the mast within 50 feet of power lines due to risk of serious injury.
- Ensure all weight is on the jack foot plates. One stabilizer should touch the ground to eliminate bouncing.
- After unit is leveled remove jack crank and store in solar cabinet.
- Do not raise mast until legs are fully deployed, pinned, and locked into position.
- Use all 4 tethers to provide stability to platform and maximum image quality.
- Remove mast crank once mast is in extended position and store in solar cabinet.
- Install locking pin once mast is in extended position and return key to lock box.
- Lock all storage boxes with customer provided padlocks.
- Store all keys in combination lock box.

### WIND RATING

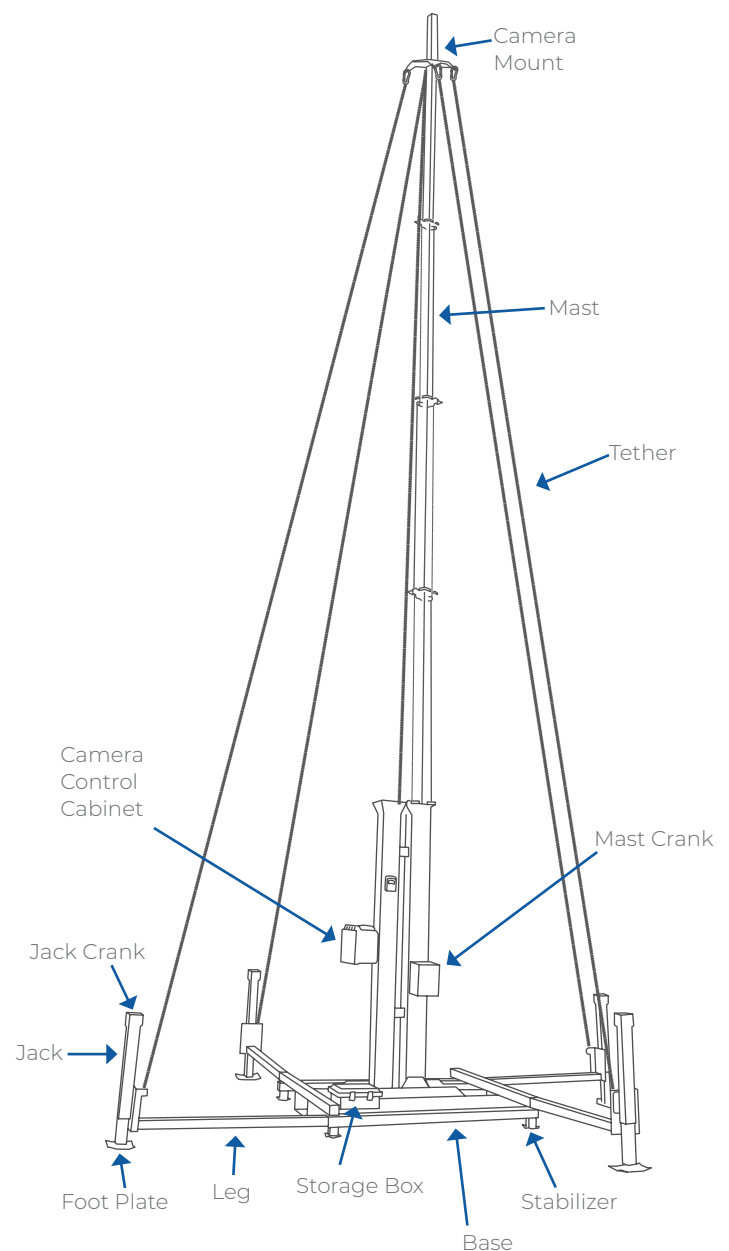
- The mast's wind rating is 70 MPH.
- **If winds are to exceed 65 MPH the mast must be lowered to its minimum height and the solar panel must be folded to shipping position and secured.**

# COMPONENT CHECKLIST

Check through the system parts included with your solar shipment.

TELESCOPIC CRANK MAST	
CAMERA BOX	
1	CONSTRUCTION CAMERA
1	POWER CABLE
1	ETHERNET CORD
TETHER BOX	
4	TETHER ASSEMBLY
STORAGE BOX	
1	JACK CRANK
1	MAST CRANK
LOCK BOX	
2	MAST PIN KEYS
<p><b>BE SURE TO KEEP ALL BOXES OR PALLETS THAT COME WITH YOUR CAMERA. FAILURE TO DO SO MAY RESULT IN EXTRA CHARGES WHEN RETURNING THE SYSTEM.</b></p>	

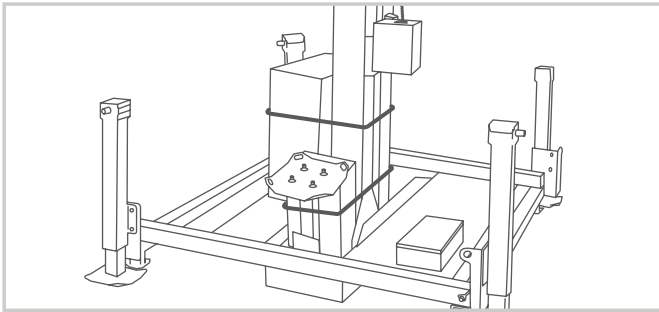
Available Cameras



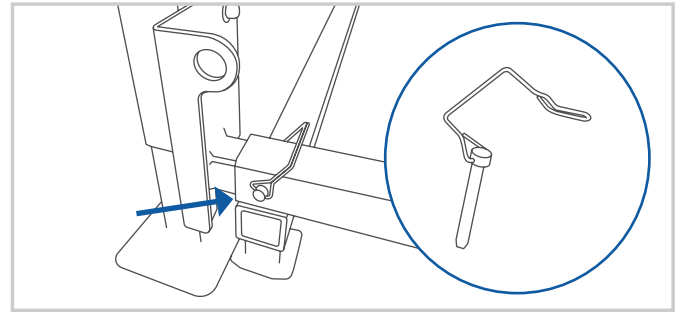
# INSTALLING YOUR SOLAR TELESCOPIC CRANK MAST

## A COMPREHENSIVE GUIDE

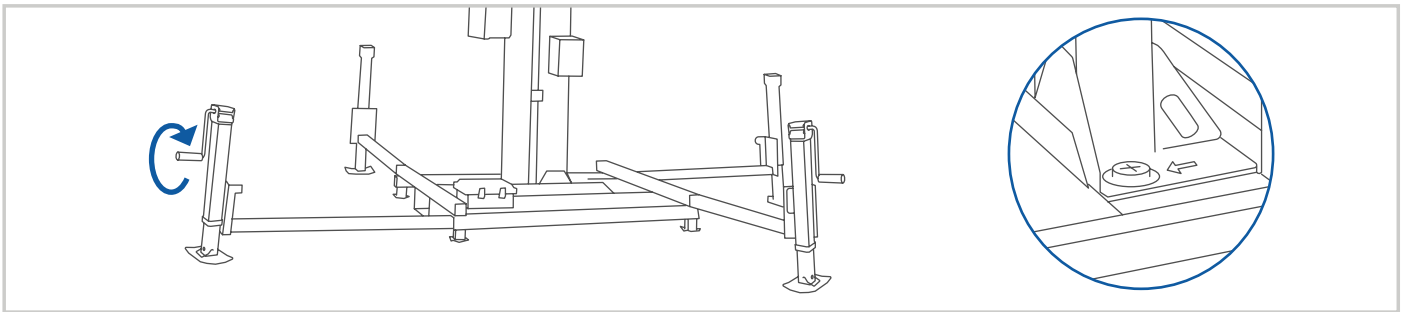
Watch the Install Video



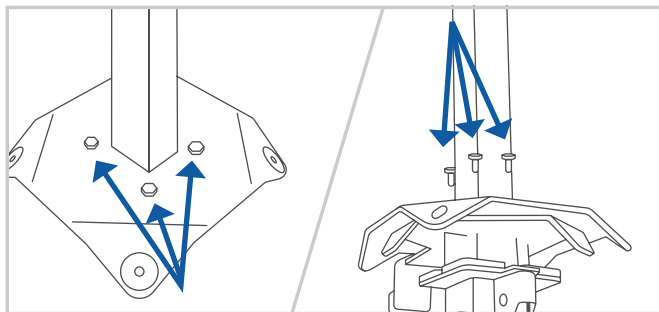
**1** Remove shipping material and hardware boxes from the unit.



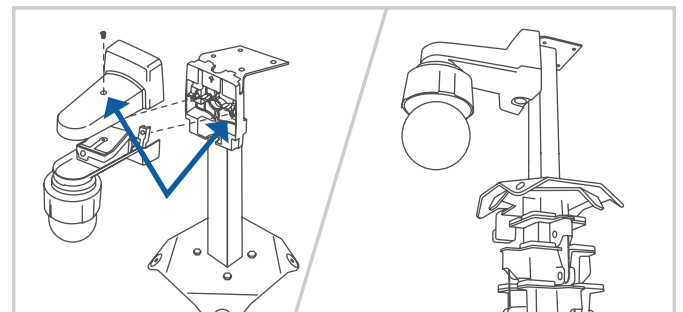
**2** Remove the cotter pins on each leg and extend until they can be reinstalled in the deployed position through holes.



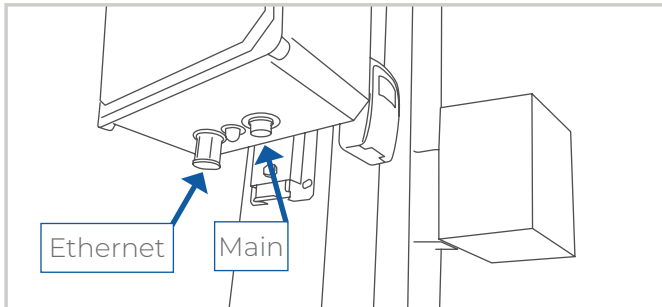
**3** Using the jack crank adjust, jack heights until the entire unit is level—refer to the bubble level located at the base of the mast. Return the jack cranks to the storage box for safe keeping.



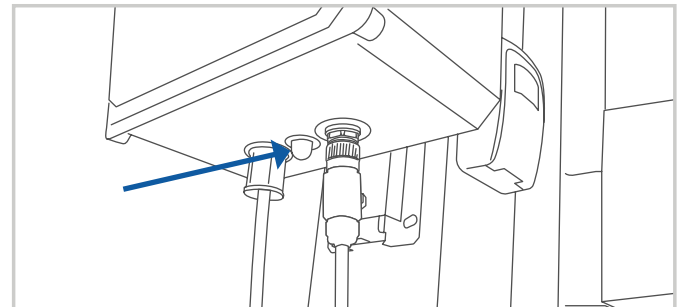
**4** Remove the 4 bolts from the bottom of the camera mount. Center the plate of the camera mount on the top of the mast and return the bolts to secure the mount.



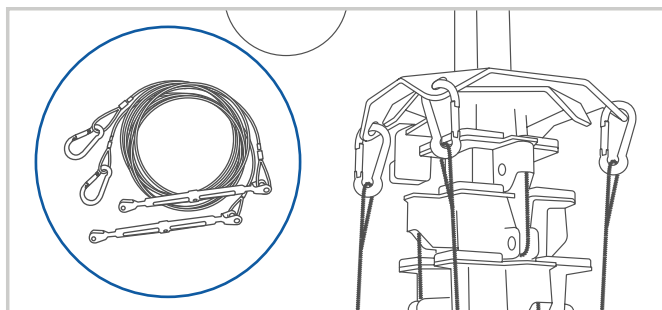
**5** Remove the camera cap from its base. Screw the base onto the camera plate being careful not to pinch the ethernet cable. Return the cap to its base.



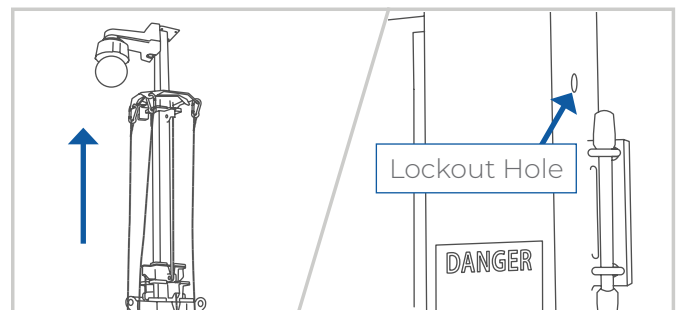
**6** Plug the camera ethernet cable and main power cable into the power box. Rest the cable of the camera loose on the ground so it doesn't get pinched or tangled while raising the mast.



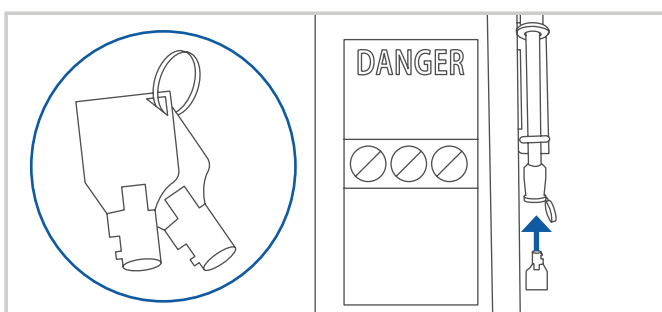
**7** Ensure the system is on via the blue light on the bottom of the power box. Call your Customer Service rep to verify proper installation. Have the camera ID located on your camera ready for verification.



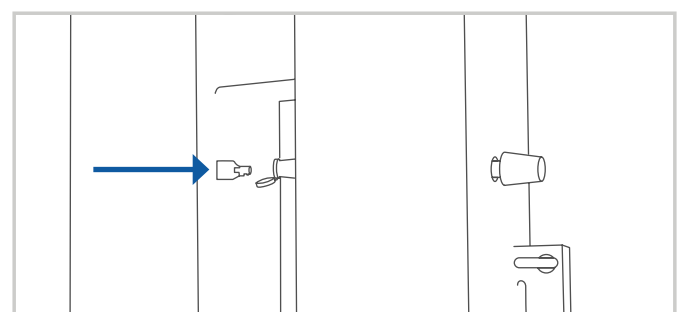
**8** Carefully separate braided cables of tether assemblies (being sure not to tangle or kink) then clip the carabiners on to the 4 eyelets of the mast.



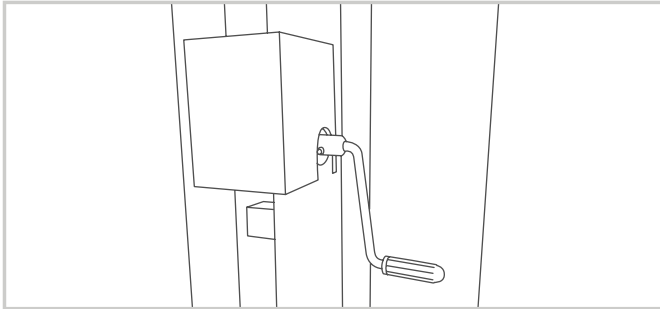
**9** With the silver mast crank, extend the mast until the internal segments clear the lockout holes.



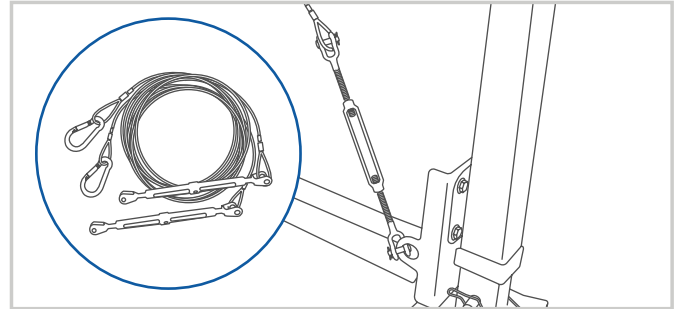
**10** Remove the mast locking pin keys from the lock box on your mast—code is located on the brochure sent with your mast. Unlock the mast locking pin.



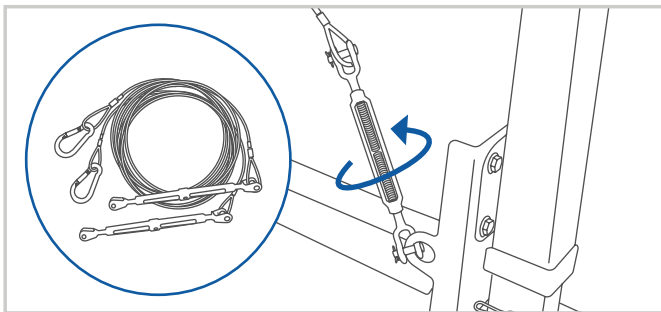
**11** Insert the mast locking pin with the lock side on the center of the mast then lock the pin. Return the keys to the lock box.



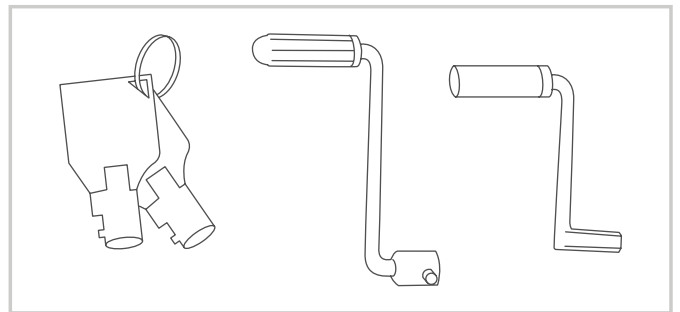
**12** To minimize cable load, crank the mast back down until the locking pin no longer moves and return the crank to the storage box.



**13** With turnbuckles of each tether assembly extended to their full capacity, fasten each to the anchor points on the jacks. **Be sure each tether assembly is attached to the corresponding mast leg.**

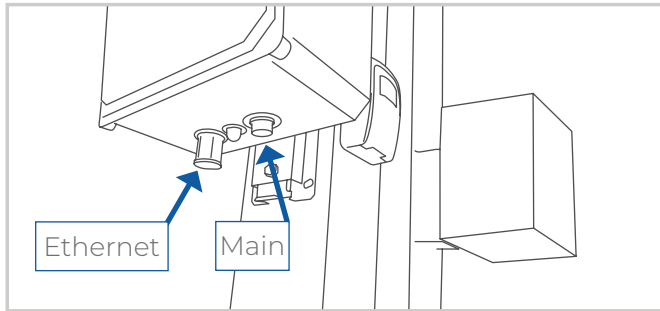


**14** Tighten each turnbuckle until tether assemblies are evenly taut. **Do not over torque.**

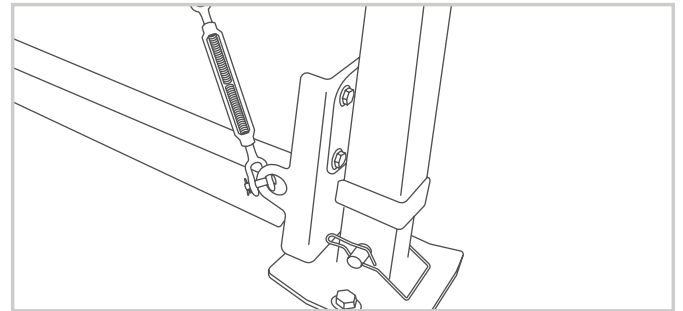


**15** Ensure all cranks are secured in the storage box and to tamper proof your system, place all keys in the lock box. Zip-tie the camera cables in an orderly fashion off the ground to avoid disturbance.

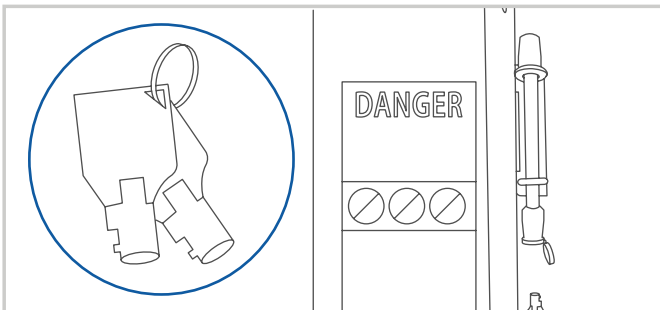
## RETURNING TELESCOPING CRANK MAST



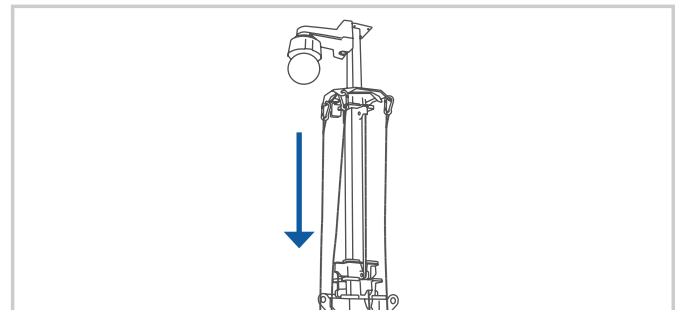
**1** Unplug the ethernet cord and main power cable from the power box.



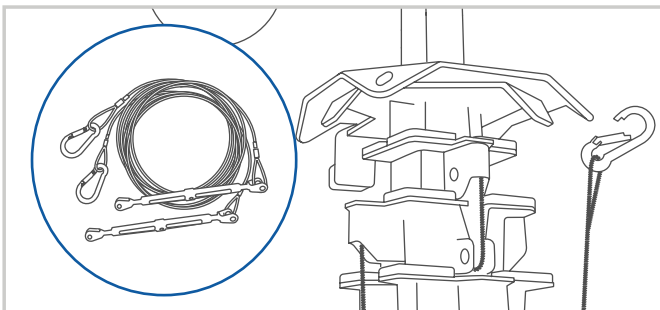
**2** Loosen the turnbuckles to remove tether assemblies from each jack anchor point.



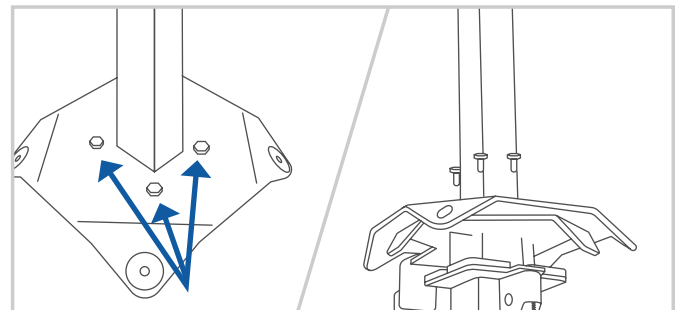
**3** Raise the mast until the mast locking pin can move. Then, with the key in the lock box, unlock and remove the locking pin to return to its stowed position.



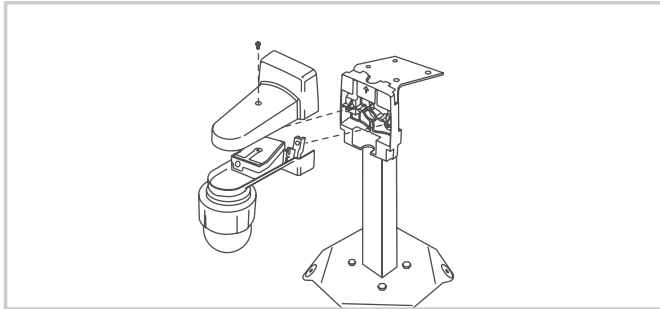
**4** Lower the mast with the mast crank. Be careful not to damage any cables or tethers.



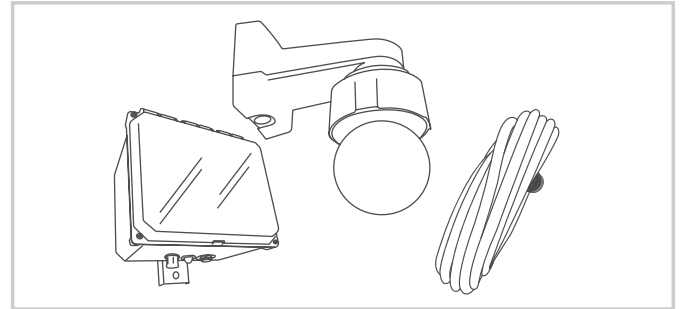
**5** Remove the tether assemblies from the camera mount. Bundle and return to tether kit box.



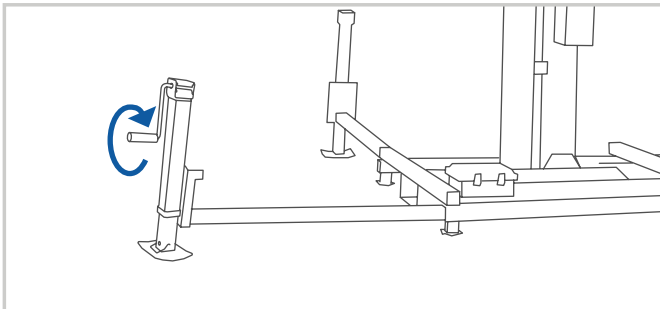
**6** Using the 5/8" socket & box wrench, remove the camera & camera mount from the top of the mast.



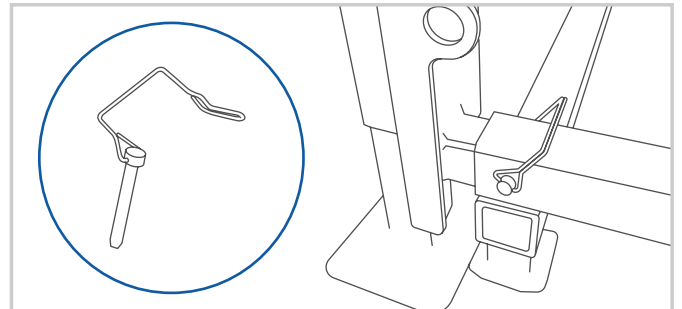
- 7** To remove the camera, unscrew the cap from its base and unscrew the base from the camera plate. Then return the camera cap to its base.



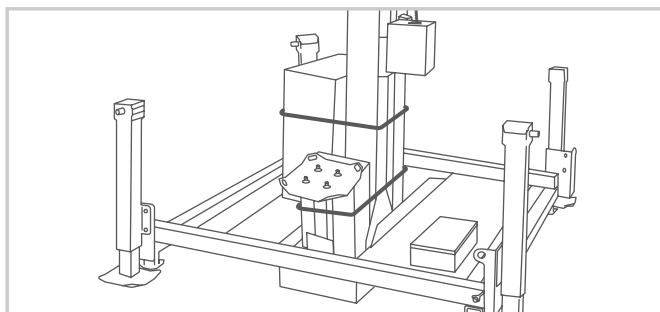
- 8** Place camera, and cables back into the camera box.



- 9** Raise each jack foot high enough to slide in the legs.



- 10** Remove the safety pin on each leg and slide them back into the base until you can return the safety pins to lock each leg in shipping position.

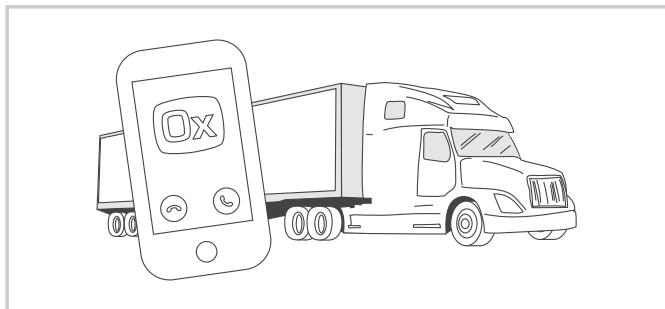


- 13** Strap boxes listed on the components list to the mast then send a photo to OxBlue Client Support at [support@oxblue.com](mailto:support@oxblue.com). This is to protect you in the event the equipment is damaged during shipping.



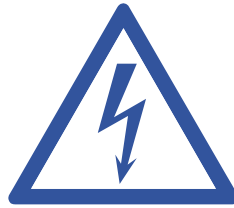
- 14** Once OxBlue has checked the unit is secure, shrink wrap the entire unit. Send a photograph of the shrink wrapped unit to OxBlue Client Support.





- 15** Ship back via local service or contact OxBlue to arrange for collection.

## WARNING



1. To minimize the risk of potential safety problems, you should follow all applicable local and national codes regulating the installation and operation of your equipment. These codes vary from area to area and usually change with time. It is your responsibility to determine which codes should be followed, and to verify that the equipment, installation and operation are in compliance with the latest code revisions.
2. At a minimum, you should follow all applicable sections of the National Fire Code, National Electrical Code and the codes of the National Electrical Manufacturer's Association (NEMA). There may be local regulatory or government offices that can also help determine which codes and standards are necessary for safe installation and operation.
3. Equipment damage or serious injury to personnel can result from the failure to follow all applicable codes and standards. We do not guarantee the products described in this publication are suitable for your particular application, nor do we assume any responsibility for your product design, installation or operation.



part of Hexagon