

J-MOUNT (LEGACY)

The J-mount provides medium duty enclosure mounts designed for applications where mounting on a pipe or pole is necessary. It features a manually adjustable swivel head and a cable feed through hole to conceal wiring. Multiple mounting holes on the tilt table provide maximum 360-degree horizontal positioning of the enclosure.

**Mounts with "Legacy" in their title denote mounts that are no longer sold at OxBlue.*

SPECIFICATIONS

Compatibility

Indigo 

Operating Environment

Indoor & outdoor use

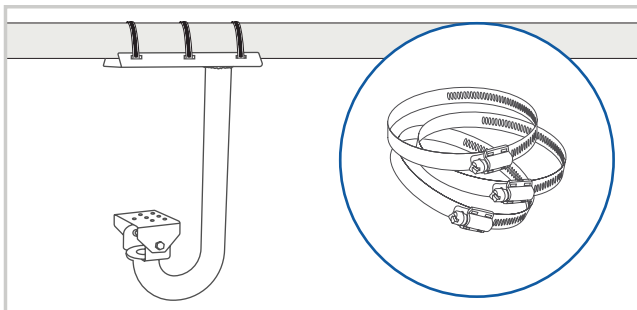
Hardware

Band clamps (3 included); camera bolts (2 included)

Power Supply

120 volt & solar power

INSTALLATION



- 1 Connect to pole or parapet with band clamps (provided).